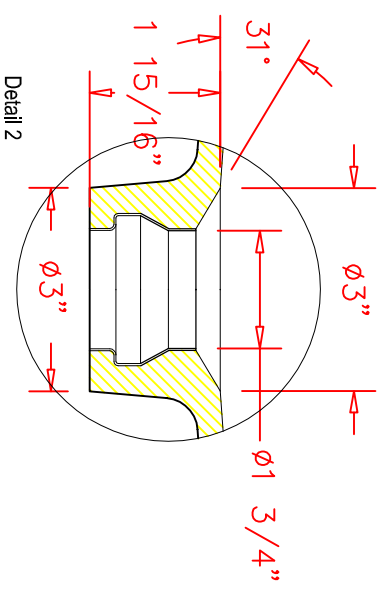
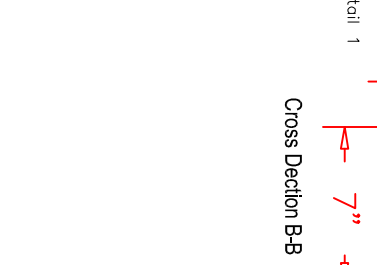
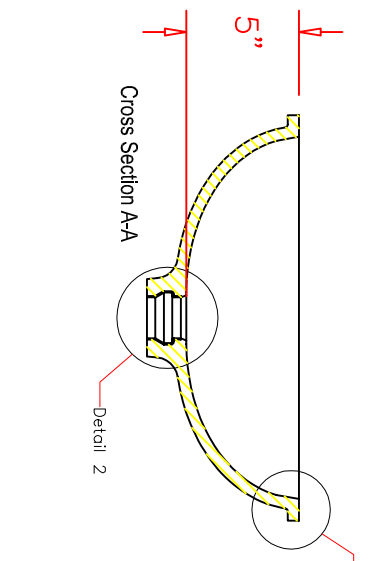
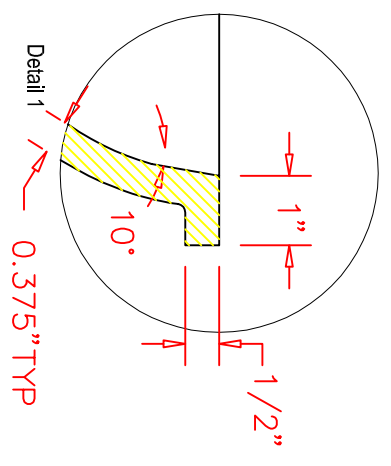
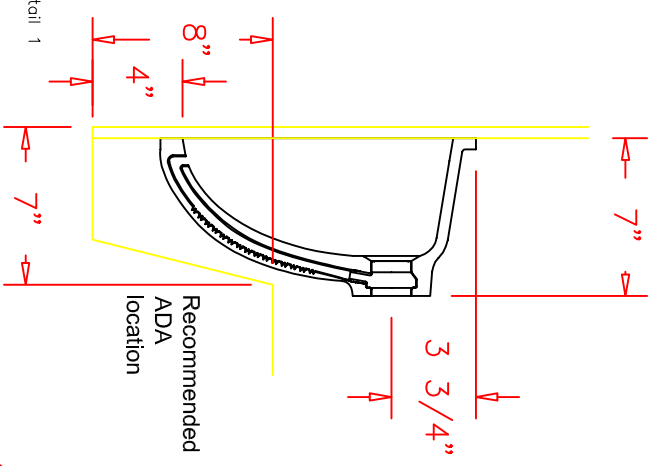
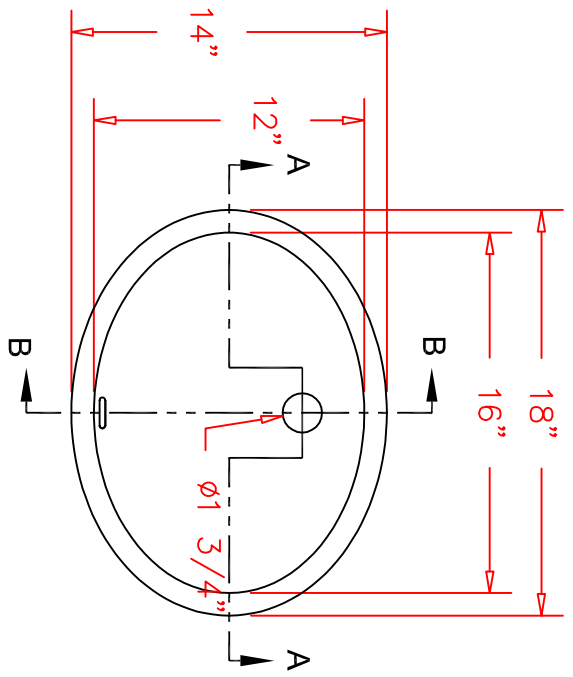


Rev #	D. Hollifield	05/18/07	Changed overall bowl height from 6 3/4" to 7"
Rev #			



V065 Formica Vanity Sink

Customer Approval: _____ Date: _____
 Path: @Engineering\20EM\Formica\Revised Drawings



transolid
 2599 Charlotte Hwy,
 Mooresville, N.C. 28117
 704-660-7660
 FAX 704-660-7661
 www.transolid.com

Part Number:	ZLSU0161200xx		
Description:	Lavatory Sink Undermount: 16" x 12" x 5"		
Date Drawn:	5/3/07	Weight:	10.47 lbs. (4.76 kg)
Drawn By:	Carlos Hernandez	Scale:	None
Approved By:		Revised By:	Jeffrey Smith
		Date Revised:	5/4/07